

The inclined filter-based cleaning system allows simple, safe and efficient IN-HOUSE cleaning of various liquids, in addition to lowering your operating expenses



G-WASH 040XS

Grünig

Grünig-Interscreen AG
Ringgenmatt 14
CH-3150 Schwarzenburg
Switzerland

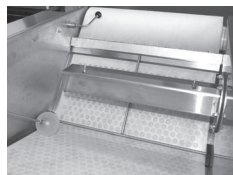
Phone +41 31 734 2600
Fax +41 31 734 2601
www.grunig.ch
mail@grunig.ch

G-WASH 040XS

Cleaning system based on inclined filter



Reel support



Filtering bed



Dirt wiper

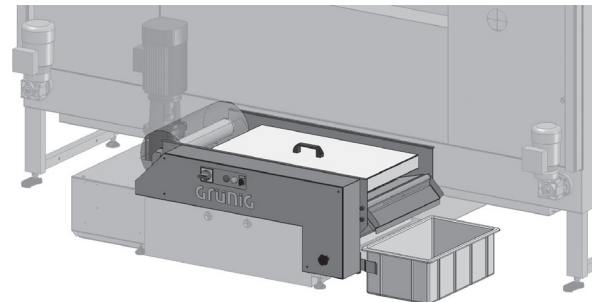


Control elements

Particular features:

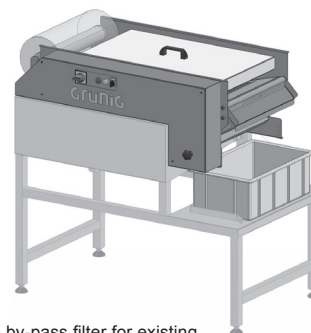
- Automatic cleaning of liquid treatment products such as:
 - Solvents with a flash point of $>55^{\circ}\text{C}$
 - Closed-circuit de-coating product
 - Recycled water
- Efficient mechanical cleaning based on inclined filter technique and polyester filtering fleece; The following filtering fleeces are available: 2, 4, 7, 12, 25 micron
- Simple and safe IN-HOUSE cleaning of liquids
- Lowers the operating expenses while prolonging the service life; liquids such as solvents, recycled water, etc. can be used during a considerably prolonged period
- Reduced handling effort for the treatment of the liquid products
- The operating mode can be switched over between AUTOMATIC and MANUAL operation
- Very low-maintenance and user-friendly design
- In connection with the G-Wash 034 system, the inclined filter can be combined with most G-Wash equipments designed by Grünig or with already existing washing basins
- Rugged and high-quality construction of stainless steel V2A

G-WASH 170XS



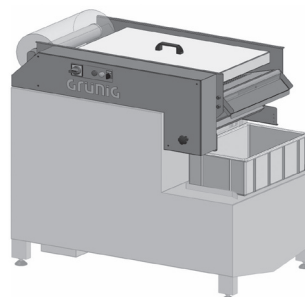
Application as an integral part of the G-Wash 170XS tank system

G-WASH 034 A10



Application as a by-pass filter for existing tank systems or wash basins

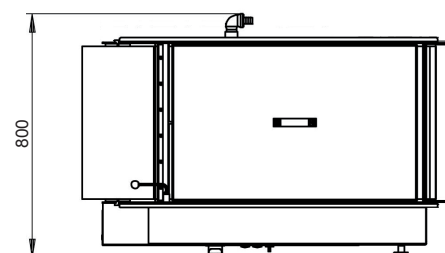
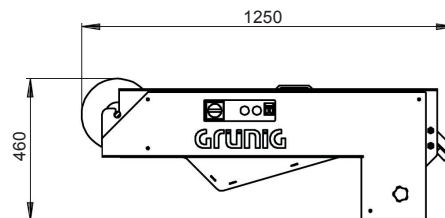
G-WASH 034 A20



Application as a stand-alone closed-circuit tank

Examples of application possibilities:

Sizes	Width	mm	1250
	Height	mm	460
	Depth	mm	800
Power supply	Voltage	V	1x230+N+PE 2x220+PE
	Frequency	Hz	50/60
Permanent sound pressure level		dB (A)	<75



All measures in mm



The machine is in compliance with the EU Machinery directives (EC conformity)

Technical changes are reserved

July 14